

The following Infogram describes the new, MRV designed mounts, for use in all TereScope™ installations.

Herewith some of the product highlights:

- The mounts are made of aluminum and go through a chemical process to prevent corrosion.
- The mounts fit all Optical Access TereScope™ systems.
- The mounts support the lightning rod product.
- The right-angle wall mounts M001 is suitable only for TereScope 1000 up 3000, but don't support the lightning rod yet.

The mounting brackets are divided into four families:

- Wall mounts- M001, M054C, M053C and M022C.
- Floor mounts – M015C, M059C, M050C, M058C, M057C, and M055C.
- Extended wall mounts – M051C, M056C, M062C, M063C, and M064C.
- Pole mounts adaptors – PCL 3”, PCL 4”, PCL 5”, PCL 6”.

**Note 1:** The letter “C” on the model number means the mount is “common”, i.e. suitable for all Optical Access TereScope™ types.

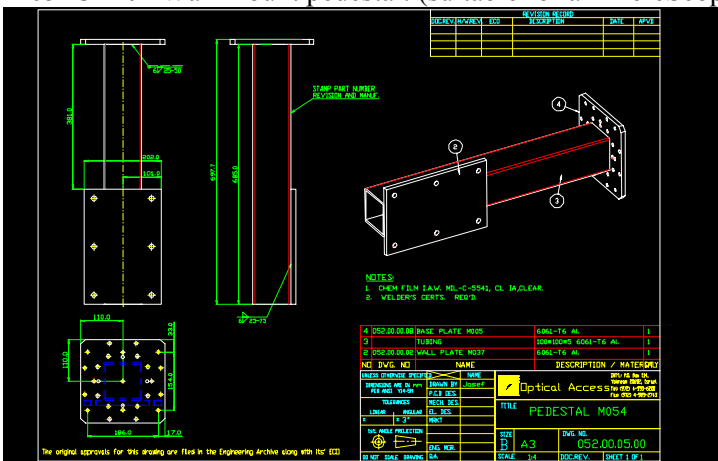
**Dimensions in below drawings are in [mm].**

**WALL TYPE FAMILY**

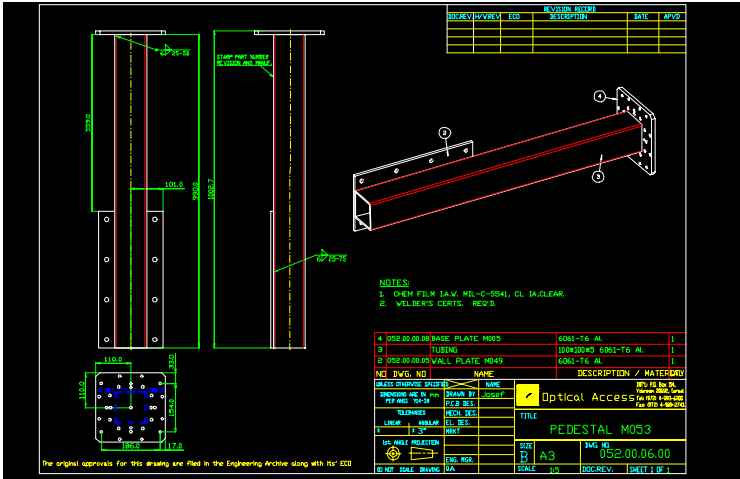
M001 – Right Angle Wall Mount (Suitable only to the following products: TS1000, TS1000X, TS1000G, TS3000)



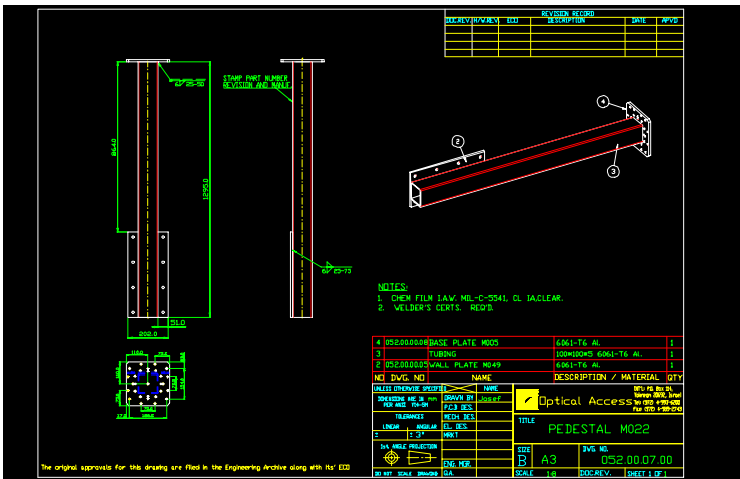
M054C- 10” Wall mount pedestal: (suitable for all TereScope™).



M053C- 22" Wall mount pedestal: (suitable for all TereScope™).

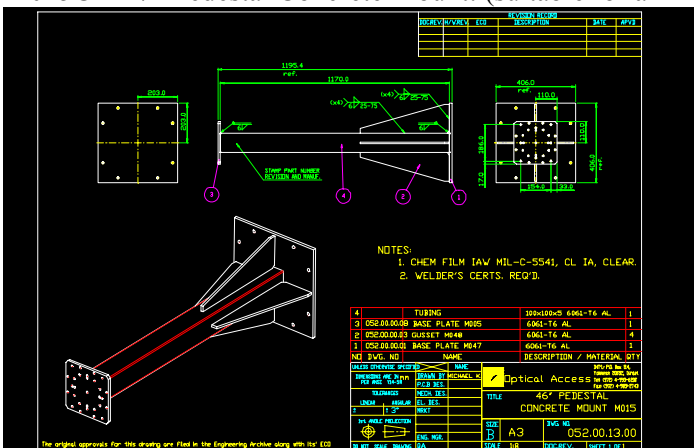


M022C - 34" Wall mount pedestal: (suitable for all TereScope™).

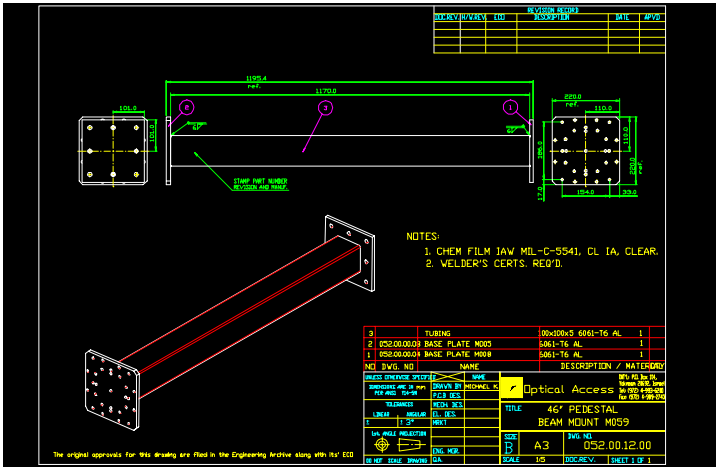


## FLOOR TYPE FAMILY

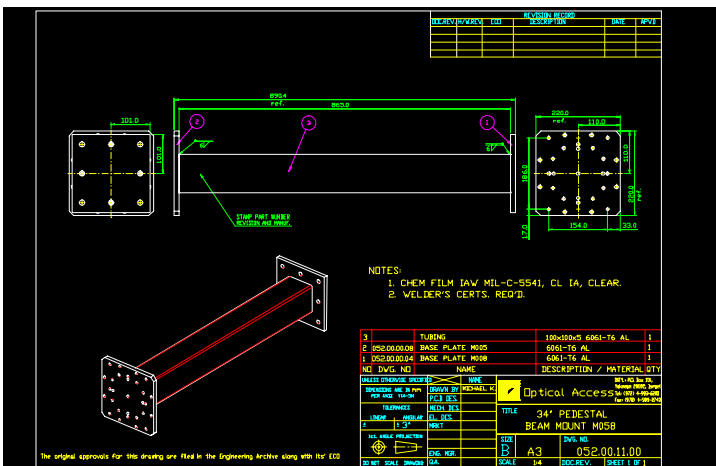
M015C - 47" Pedestal Concrete Mount: (suitable for all TereScope™).



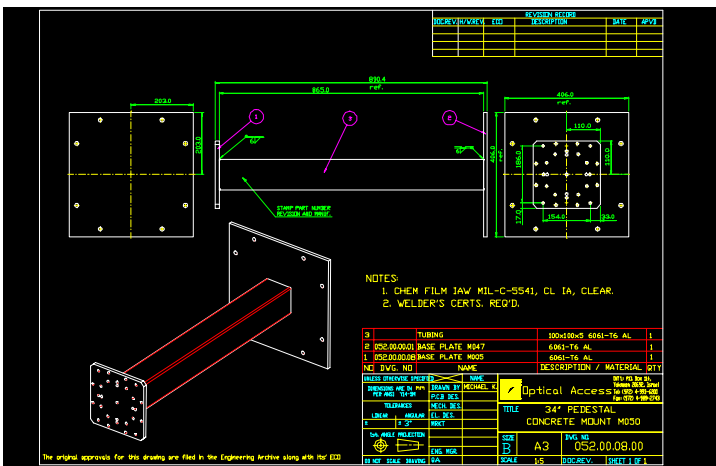
M059C – 47” Pedestal Beam Mount: (suitable for all TereScope™).



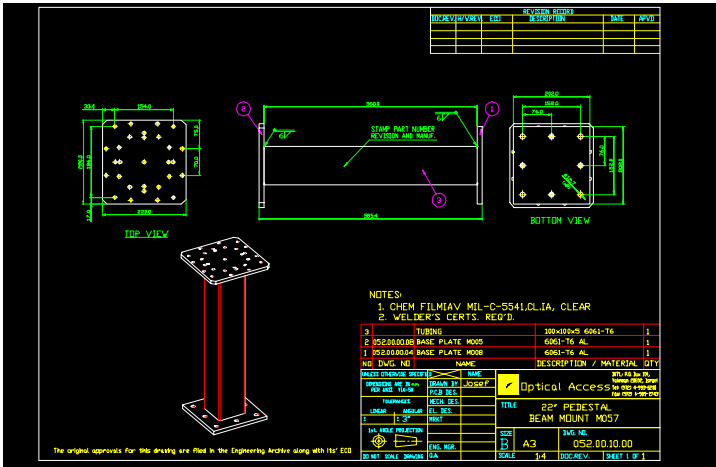
M058C – 34” Pedestal Beam Mount: (suitable for all TereScope™).



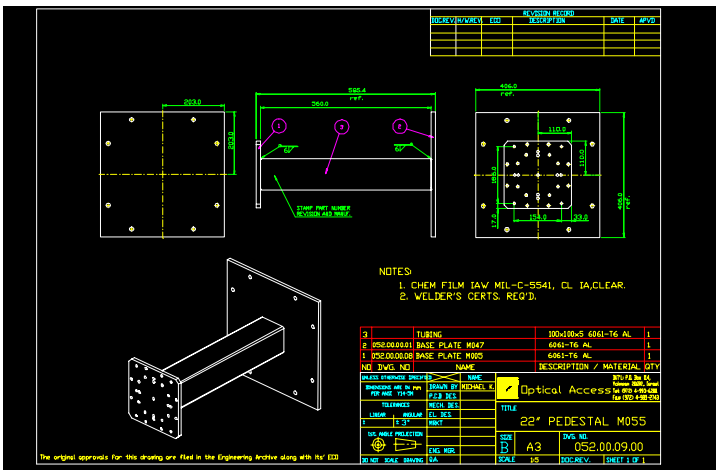
M050C – 34” Pedestal Concrete Mount: (suitable for all TereScope™).



M057C – 22” Pedestal Beam Mount: (suitable for all TereScope™).

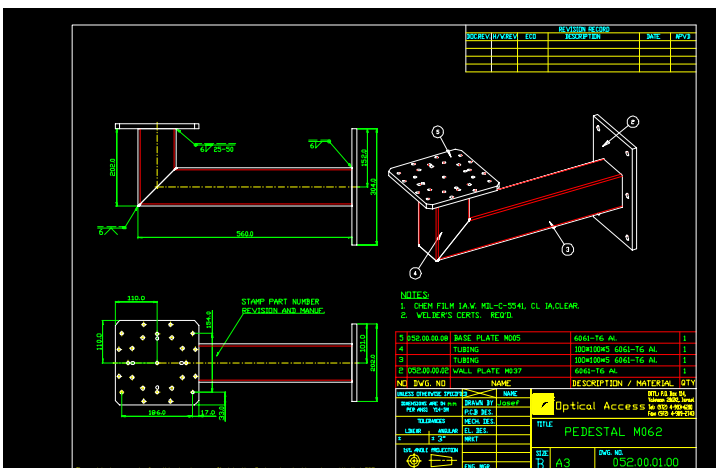


M055C – 22” Pedestal Concrete Mount: (fit all TereScope™).

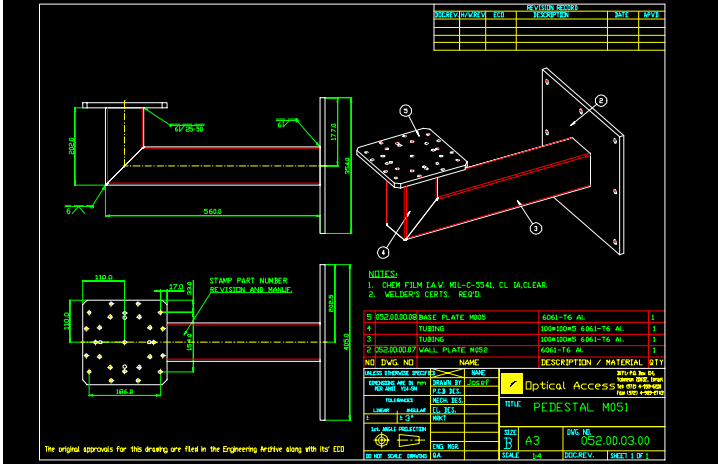


**EXTENDED WALL MOUNT FAMILY**

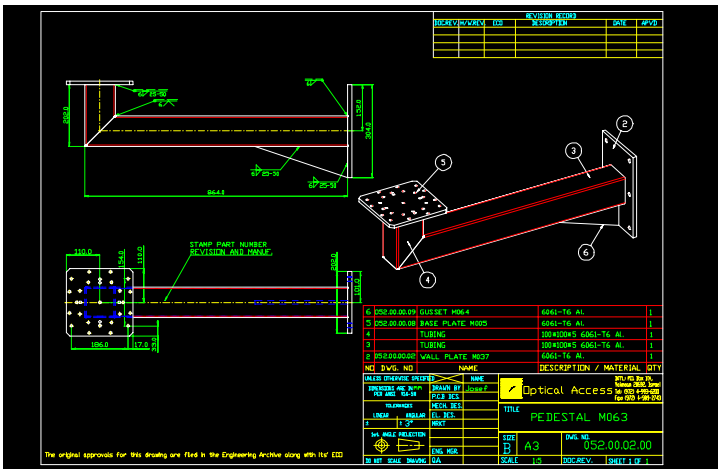
M062C – 22” Extended Wall Beam Mount: (suitable for all TereScope™).



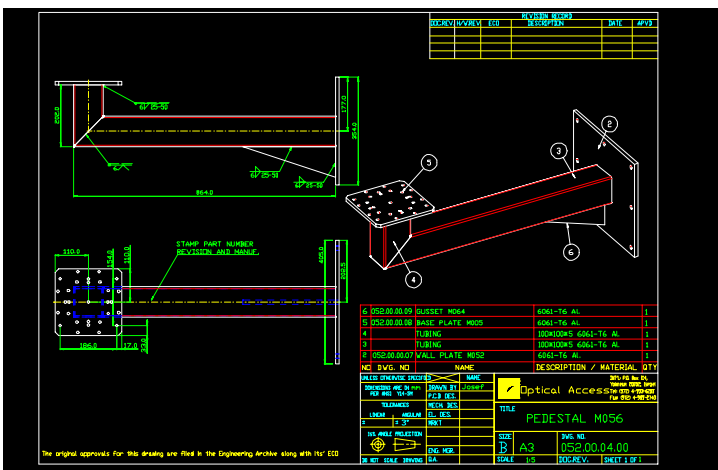
M051C – 22” Extended Wall Concrete Mount: (suitable for all TereScope™).



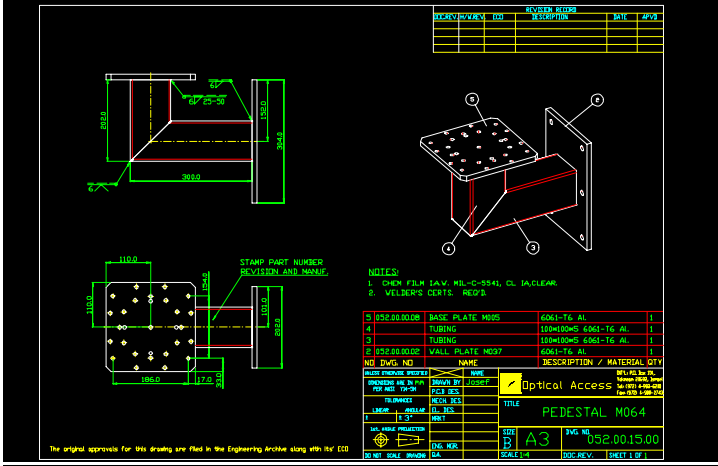
M063C – 34” Extended Wall Beam Mount: (suitable for all TereScope™).



M056C – 34” Extended Wall Concrete Mount: (suitable for all TereScope™).



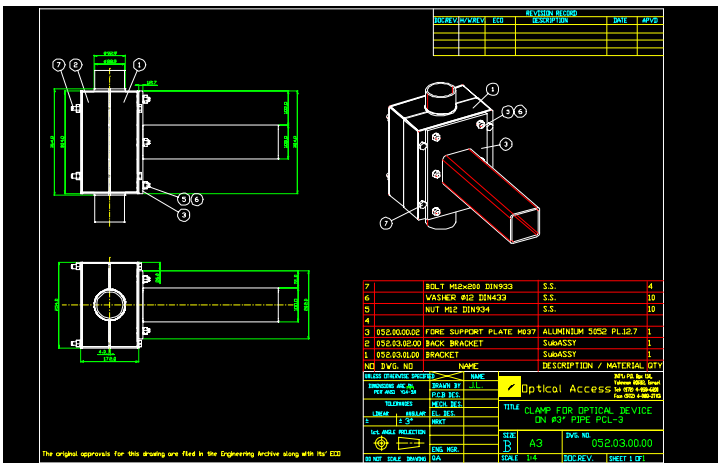
M064C – 12” Extended Wall Beam Mount: (suitable for all TereScope™).



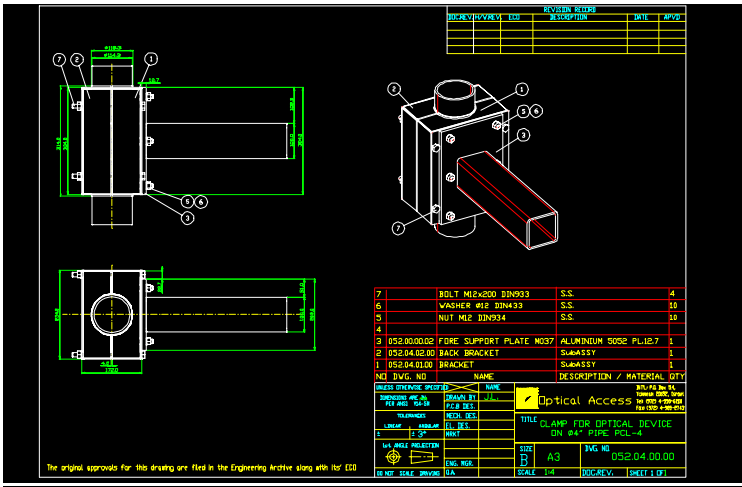
### POLE MOUNT ADAPTORS FAMILY

Pole clamps are only accessories to fit a standard mount to a pole. All pole clamps can't stand alone: in order to install a TereScope™, we need to add a standard extended wall beam mount. The best mount to attach it with is the M064C – 12” Extended Wall Beam Mount.

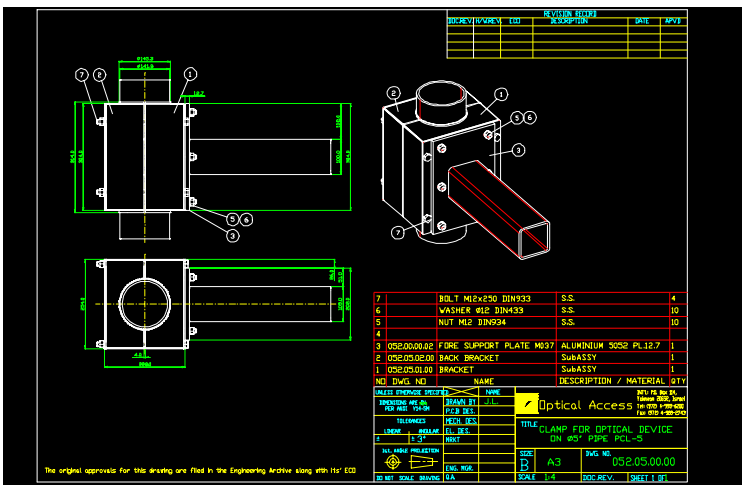
PCL 3”- pole clamp for 3” pole pipe:



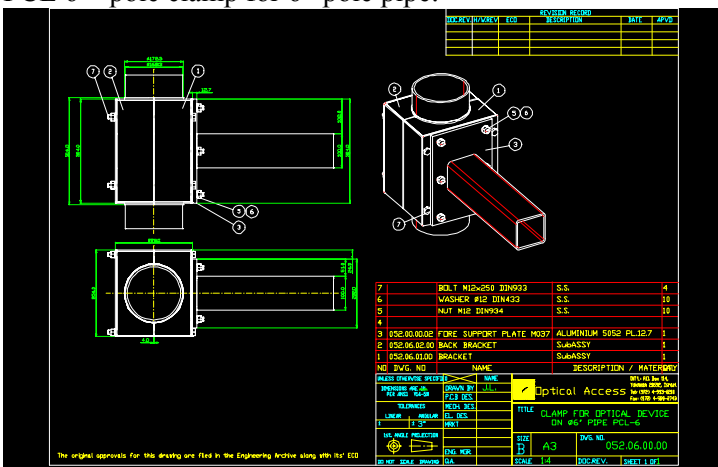
PCL 4''- pole clamp for 4'' pole pipe:



PCL 5''- pole clamp for 5'' pole pipe:



PCL 6''- pole clamp for 6'' pole pipe:



**NOTE:**

The floor mount pedestal and the extended wall mount have two types of wall or base plates: the 8" x 8" plate and the 16" x 16" plate. It is important that you choose the right mount for the correct site. The 16" x 16" plates are more stable than the 8" x 8". It is highly recommended to use it on open surfaces that are exposed to strong winds.

**Ordering Information**

<b>Basic parts</b>	<b>Product Part No'</b>	<b>Description</b>
M001	10-00-M001	Right Angle Wall mount
M054C	10-00-M054C	10" Wall mount pedestal
M053C	10-00-M053C	22" Wall mount pedestal
M022C	10-00-M022C	34" Wall mount pedestal
M015C	10-00-M015C	47" Pedestal Concrete Mount
M059C	10-00-M059C	47" Pedestal Beam Mount
M058C	10-00-M058C	34" Pedestal Beam Mount
M050C	10-00-M050C	34" Pedestal Concrete Mount
M057C	10-00-M057C	22" Pedestal Beam Mount
M055C	10-00-M055C	22" Pedestal Concrete Mount
M062C	10-00-M062C	22" Extended Wall Beam Mount
M051C	10-00-M051C	22" Extended Wall Concrete Mount
M063C	10-00-M063C	34" Extended Wall Beam Mount
M056C	10-00-M056C	34" Extended Wall Concrete Mount
M064C	10-00-M064C	12" Extended Wall Beam Mount
Pole Clamp 3"	PCL3	Pole Clamp 3"
Pole Clamp 4"	PCL4	Pole Clamp 4"
Pole Clamp 5"	PCL5	Pole Clamp 5"
Pole Clamp 6"	PCL6	Pole Clamp 6"